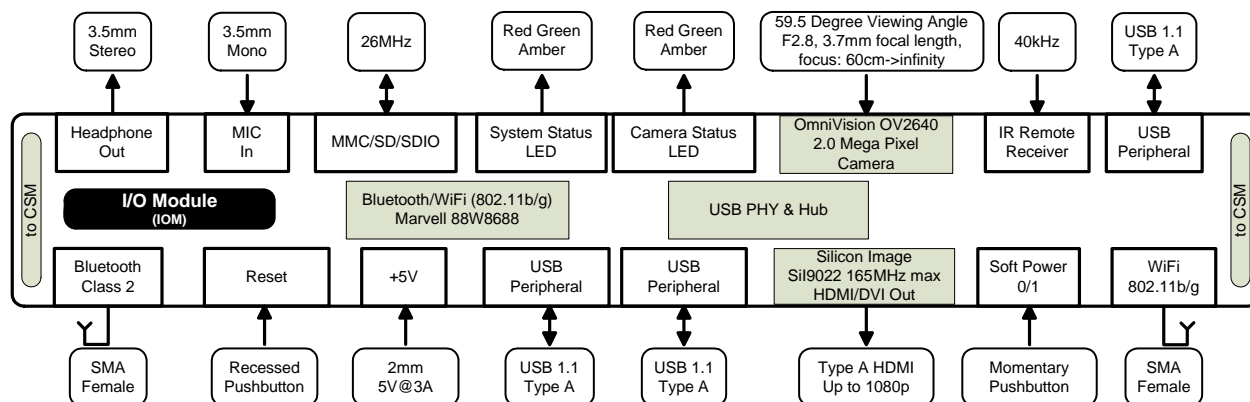




The full-featured, credit card size Calliope I/O Module provides the connectivity and key peripherals to create the media-rich application personality of the Green Calliope Engine. An integrated Bluetooth/WiFi chip allows simultaneous dual-radio operation. Digital video output (up to 1080p) and 2 Megapixel camera are included, as well as SD/MMC Memory Card Slot (16GB), three USB ports, IR Receiver, Mic In/Stereo Headphone Out and a 5V power supply input.



I/O Module



Highlights:

- **Credit Card Size Module**
(0.82H x 3.4W x 2.2D in including bottom board-to-board connector)
- **Significant Power Savings vs. Traditional PCs**
(under 5W typical with CSM-1)
- **Available example Linux code to interface with IOM Peripherals**
(WiFi with LocoLabs auto connect application, Bluetooth, Audio I/O, MMC/SD/SDIO, Camera, HDMI/DVI-D, USB keyboard, mouse, and memory stick)
- **Wireless: Marvell 88W8688 combo chip with dual antennas for dual-radio operation**
(802.11b/g, Bluetooth)
- **3-Port USB Hub**
(Support for full .500ma power and USB 1.1 Type A connectivity)
- **Built-in I/O Connectors for connection to CPU modules:**
Supports USB, Camera, SDIO, 30-bit RGB/YPrPb video output, audio, power, reset, IR, I2C, SPI, I2S
(high-density, high-speed low-profile board-to-board connectors)



CPU Scaler (CSM)
Companion Module