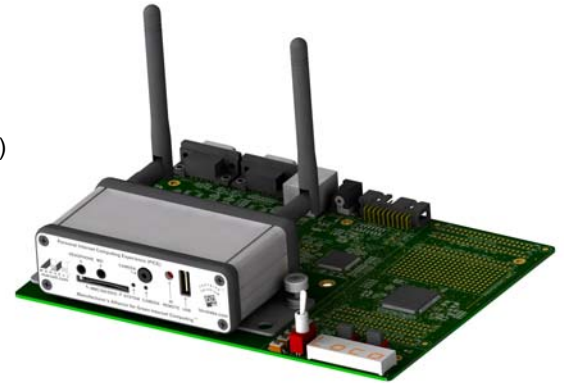
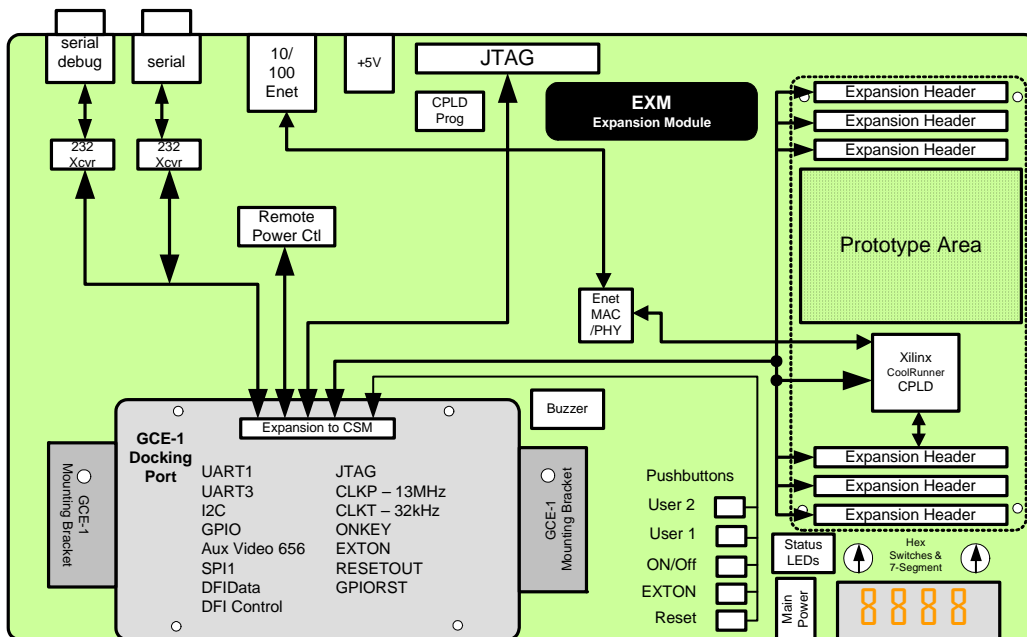




A development board for prototyping, test and debug of hardware features and applications, the Expansion Module accommodates the Green Calliope Engine (GCE) or its modules with or without the rugged OEM enclosure. It provides real estate for custom logic and daughter card docking, and completes the Calliope Platform connectivity suite with Ethernet, JTAG and serial I/O ports. An optional professional enclosure allows developers to package the entire Calliope Platform for clean demonstration and prototype delivery.



EXM Front shown with docked optional Green Calliope Engine (GCE)



Highlights:

- GCE Docking Port with Secure PEM Hardware mounting (Supports direct mounting of GCE, or standoff-mounting of modules)
- JTAG Hardware Debugger Port (Direct Connect to Marvell/Intel Hardware debug Adaptor)
- Ethernet with Integrated MAC/PHY (SMSC LAN91C111 10/100 Mbps)
- Dual Serial Ports (Dual Serial ports for Console debugging and user I/O)
- Developer Status and Control Interface (4x 7-segment Displays, Dual Hex Switches, User Pushbuttons, LEDs)
- Auxiliary Control Header (Enables On/Off, Reset, Status LEDs to be routed for bulkhead access)
- Xilinx CoolRunner CPLD ideal for adding low-power logic (Direct connect to DFI expansion port and GPIO)
- Compact yet Expandable with optional Enclosure (5.7" x 8". Fits directly into 6" x 9" x 2.25" professional enclosure)
- Onboard Prototype Area plus Daughter Card Socket (Available GPIO, DFI Expansion Bus, etc.)



EXM Rear View

Included Accessories:

1. GCE Mounting Bracket

Optional Accessories:

1. Black Plastic Enclosure
3. Power Supply